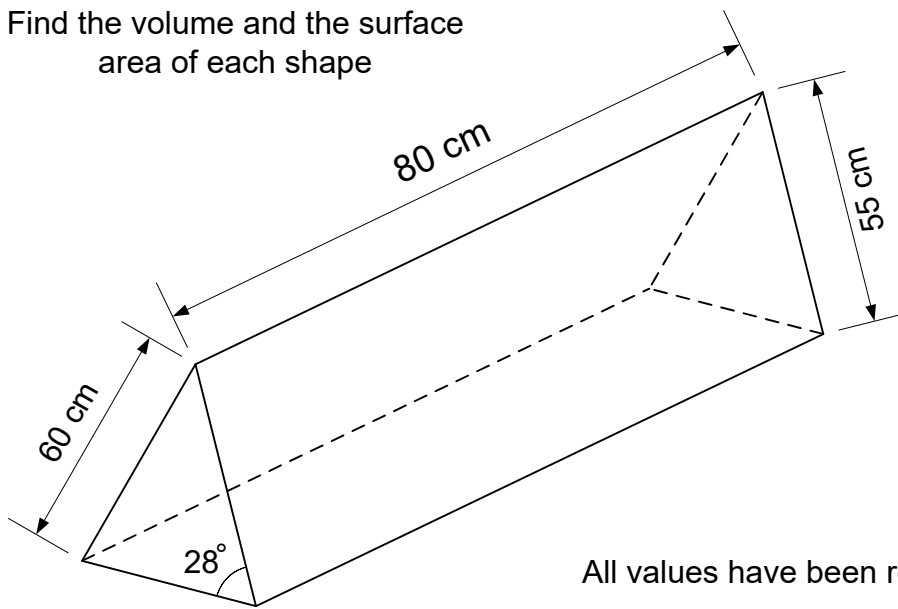
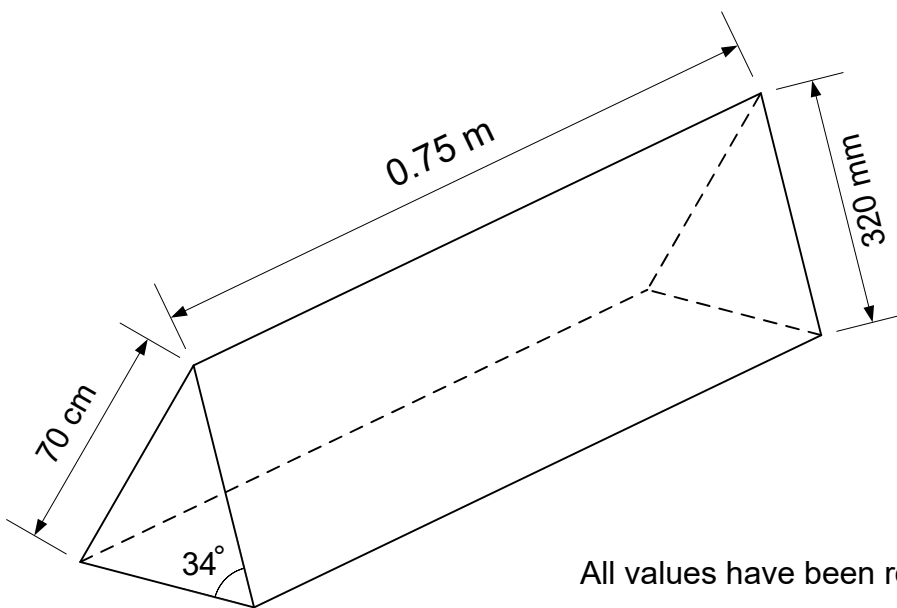


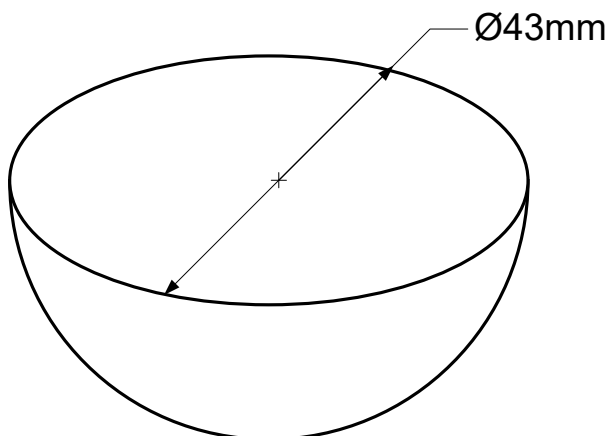
Find the volume and the surface area of each shape



All values have been rounded to two significant figures.



All values have been rounded to two significant figures.



All values have been rounded to two significant figures.